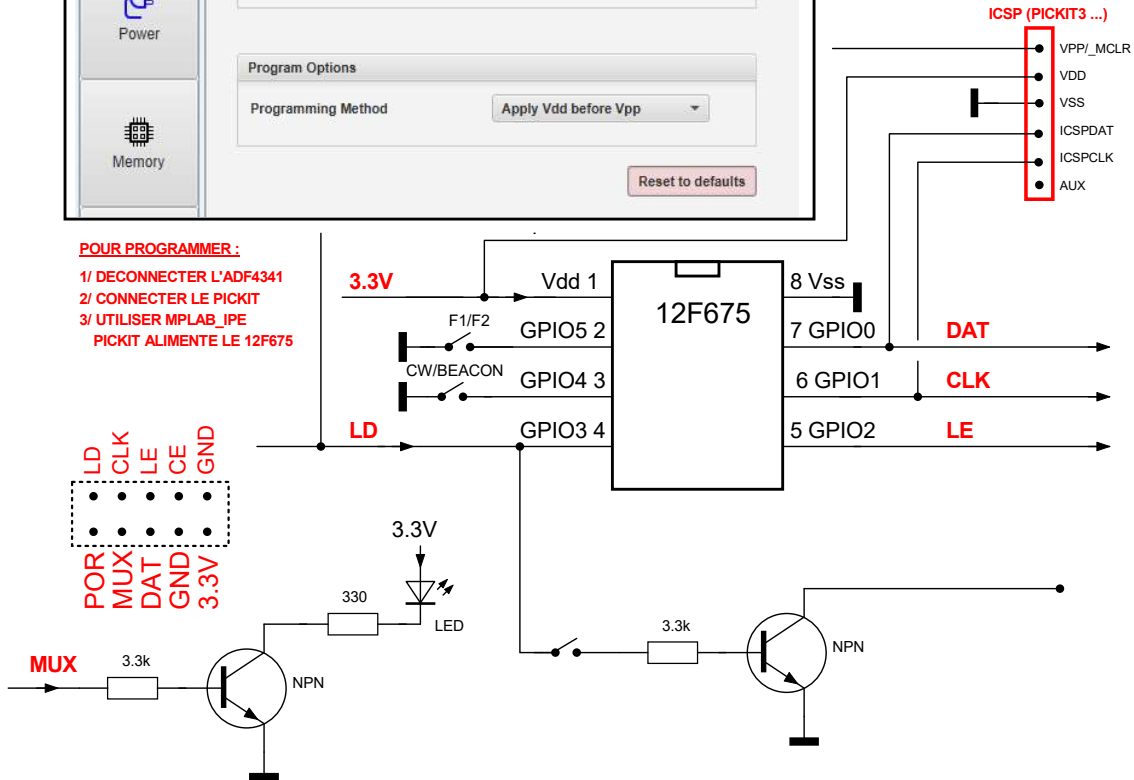


POUR PROGRAMMER :
 1/ DECONNECTER L'ADF4341
 2/ CONNECTER LE PICKIT
 3/ UTILISER MPLAB_IPE
 PICKIT ALIMENTE LE 12F675



Analog Devices ADF435x Software **EXEMPLE BALISE 1296.200** **MUX OUT EST CONFIGURE EN LOCK DETECT**

Select Device and Connection Main Controls Registers Sweep and Hop Other Functions Features

RF Settings

Output	VCO
RF Frequency: 1296.2 MHz	2592.4 MHz
Channel spacing: 100 kHz	200 kHz
Output divider: 2	
Reference Frequency: 25 MHz	
R counter: 1	Ref Doubler: <input type="checkbox"/> Ref /2: <input type="checkbox"/>
PFD Frequency: 25 MHz	
Prescaler: 8/9	
Feedback signal: Fundamental	2592.4 MHz

INT 103 + $\frac{87}{125}$ x 25 / 2 = 1296.2 MHz
 MOD N = 103,696

Phase adjust: 0. Off Phase Value: 1

Register 2

Low Noise/Spur Mode: Low noise mode	LDP: 10 ns
Muxout: Digital Lock dete	PD Polarity: Positive
Double buff: Disabled	Powerdown: Disabled
Charge pump current: 2.50	CP 3-state: Disabled
LDF: FRAC-N	Counter reset: Disabled

Register 3

Band Select Clock Mode: Low	ABP: 6 ns (FRAC-N)
Charge Cancellation: Disabled	CSR: Disabled
Clock Divider Value: 150	
CLK Div Mode: Clock Divider Off	

Register 4

VCO Powerdown: Disabled
MTLD: Disabled
Aux Output Select: Divided
Aux Output Enable: 0. Disabled
Aux Output Power: -4 dBm
RF Output Enable: 1. Enabled
RF Output Power: +5 dBm

Band Select Clock

Auto set Divider: 200 Freq (kHz): 125,000

Registers

0x 3382B8	0x 80083E9	0x 18004E42	0x 4B3	0x 9C803C	0x 580005
Write R0	Write R1	Write R2	Write R3	Write R4	Write R5

Write All Registers

Application started.

Device in use: ADF4351 Software version: 4.5.0